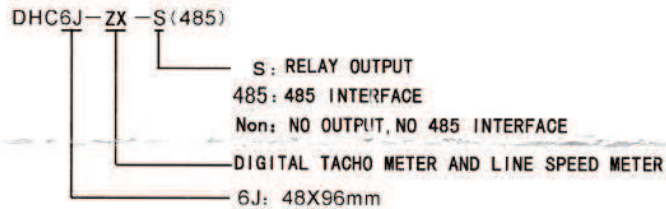


Available Type



Specifications

- Supply Voltage: AC/DC100V~240V
- Range: 0-999999
- highest frequency: 5K Hz
- Singal Width: 1S ($\geq 1\text{Hz}$) 5S ($< 1\text{Hz}$)
- Prescale Value: 0.001-9.999 (LINE SPEED METER)
- Accuracy: 0.1%
- Digit Display: 6 Digit 0.56 Inch LED
- External Power Supply: DC12V 30mA(max)
- Input Signals Voltage: L: 0~2V H: 4~30V
- Power Consumption $\leq 4\text{VA}$
- Input Resistance: $\geq 4.7\text{k}\Omega$
- Panel Cutout: 45×92mm
- Weight: 0.2kg
- Temperature: -10~40°C

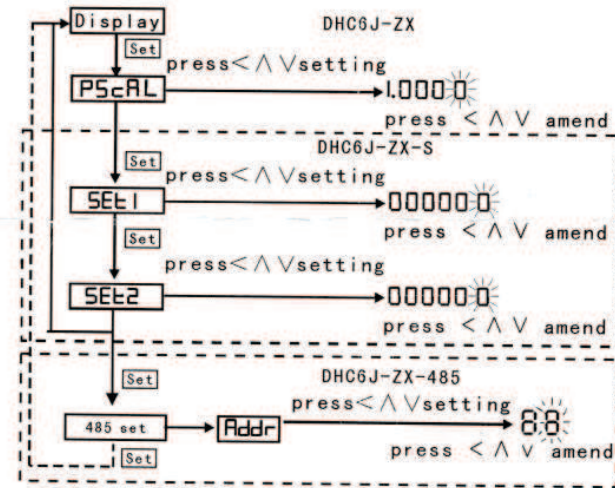
Dimensions



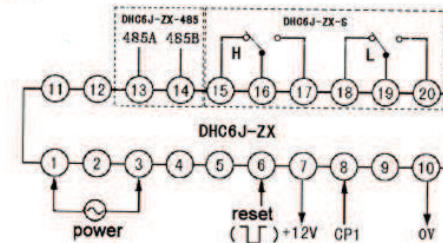
Swith Setting

switch	mode	switch	mode	
K1 ON	<1Hz	K1 OFF	1Hz~1000Hz	
K2 ON	Rpm	K2 OFF	Rps	
K3 ON	Figure ①	K3 OFF	Figure ②	

Line Speed Meter Setting



Installation



Connections

